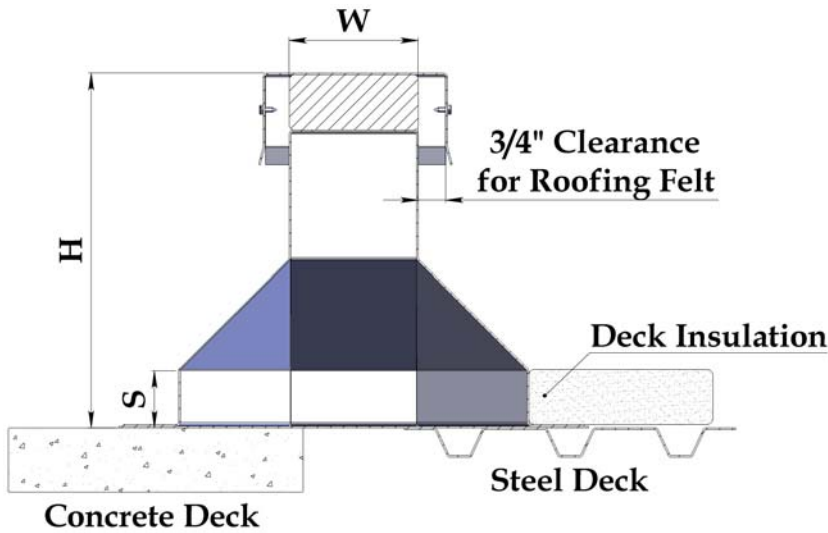
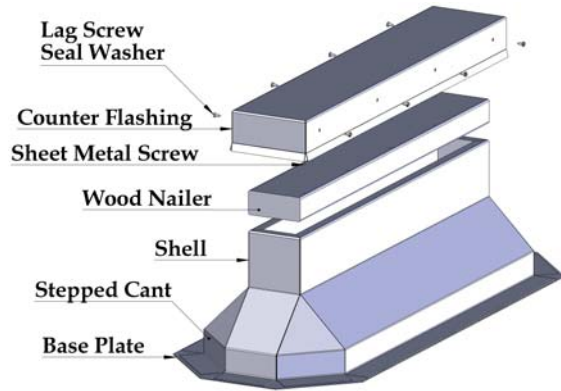




The choice to make when superior quality and service count.

2655 Airport Rd. • Santa Teresa • NM • 88008 • Ph 505.589.2130 • Fx 505.589.2608

**MODEL ESR-1**  
Equipment Support for Insulated Roof Decks



**SUBMITTAL**

Project: \_\_\_\_\_

Contractor: \_\_\_\_\_

Architect: \_\_\_\_\_

Engineer: \_\_\_\_\_

Date: \_\_\_\_\_

Submitted by: \_\_\_\_\_

**STANDARD FEATURES**

- Heavy ga Galvanized Steel Shell Base Plate and Counterflashing Cap
- Factory Installed Wood Nailer
- Internal Bulk Head Re-Inforcement
- All Welded Construction
- 1-1/2" Standard S Dimension

**REQUESTED OPTIONS**

- 1.
- 2.
- 3.
- 4.
- 5.

**FINISHED DIMENSIONS**

QTY	W	L	H	S	Job Description