



The choice to make when superior quality and service count.

2655 Airport Rd. • Santa Teresa • NM • 88008 • Ph 505.589.2130 • Fx 505.589.2608

SUBMITTAL

Project: _____

Contractor: _____

Architect: _____

Engineer: _____

Date: _____

Submitted by: _____

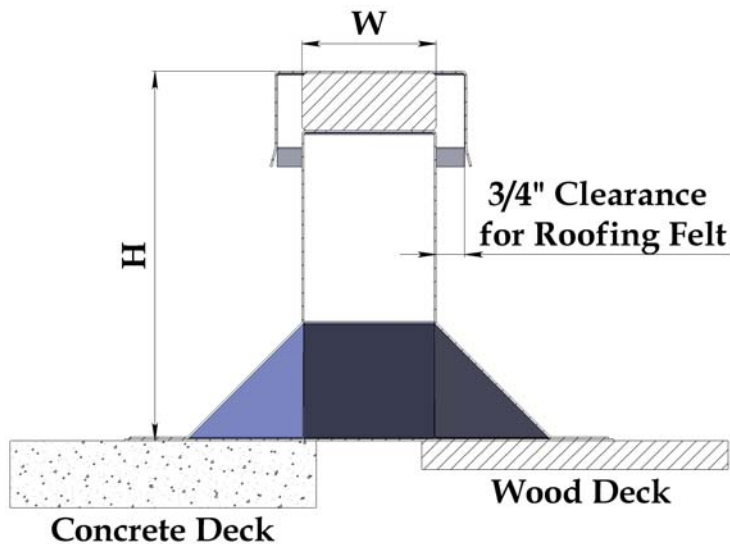
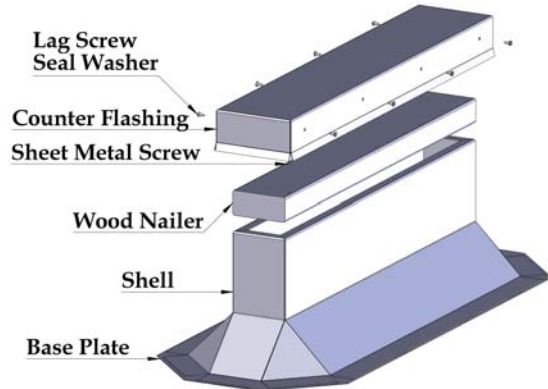
STANDARD FEATURES

- Heavy ga Galvanized Steel Shell Base Plate and Counter Flashing Cap
- Factory Installed Wood Nailer
- Internal Bulk Head Reinforcement
- All Welded Construction

REQUESTED OPTIONS

- 1.
- 2.
- 3.
- 4.
- 5.

MODEL ESR-2 Equipment Support for Non-Insulated Roof Decks and all Existing Roofs



FINISHED DIMENSIONS

QTY	W	L	H	S	Job Description