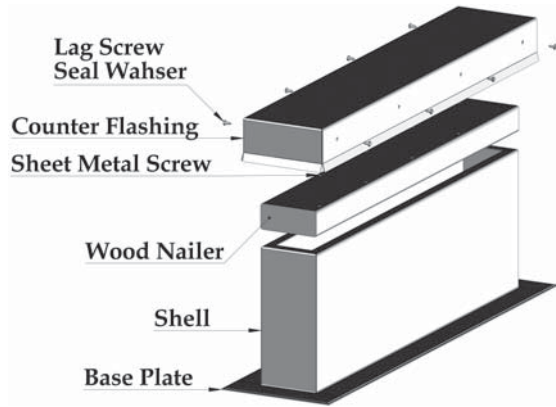




The choice to make when superior quality and service count.

2655 Airport Rd. • Santa Teresa • NM • 88008 • Ph 505.589.2130 • Fx 505.589.2608

MODEL ESR-3
Equipment Supports



SUBMITTAL

Project: _____

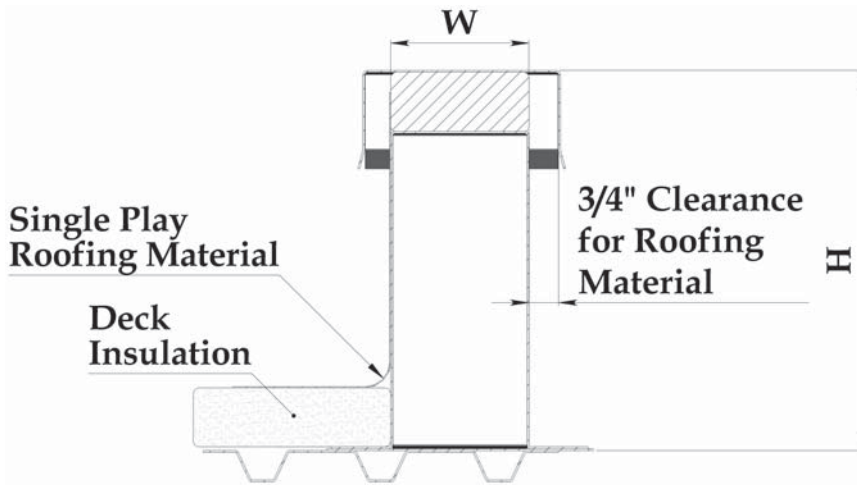
 Contractor: _____
 Architect: _____
 Engineer: _____
 Date: _____
 Submitted by: _____

STANDARD FEATURES

- Heavy ga Galvanized Steel Shell Base Plate and Counter Flashing Cap
- Factory Installed Wood Nailer
- Internal Bulk Head Reinforcement
- All Welded Construction

REQUESTED OPTIONS

- 1.
- 2.
- 3.
- 4.
- 5.



FINISHED DIMENSIONS

QTY	W	L	H	S	Job Description