

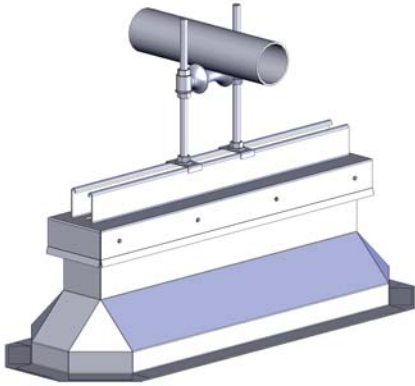


The choice to make when superior quality and service count.

2655 Airport Rd. • Santa Teresa • NM • 88008 • Ph 505.589.2130 • Fx 505.589.2608

MODEL MMP-1PS

Pipe Roller Supports for Insulated Roof Decks



SUBMITTAL

Project: _____

Contractor: _____

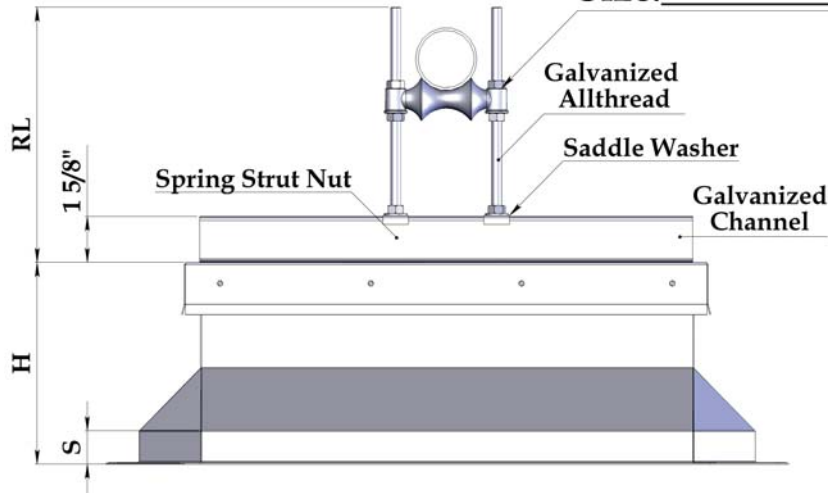
Architect: _____

Engineer: _____

Date: _____

Submitted by: _____

Roller Assembly Size: _____



FINISHED DIMENSIONS

Support Dimensions

Roller Dimensions

QTY

L

H

S

QTY

Roller Chair Size

RL

Job Description