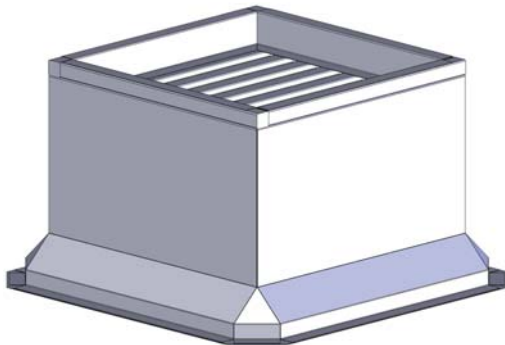




The choice to make when superior quality and service count.

2655 Airport Rd. • Santa Teresa • NM • 88008 • Ph 505.589.2130 • Fx 505.589.2608

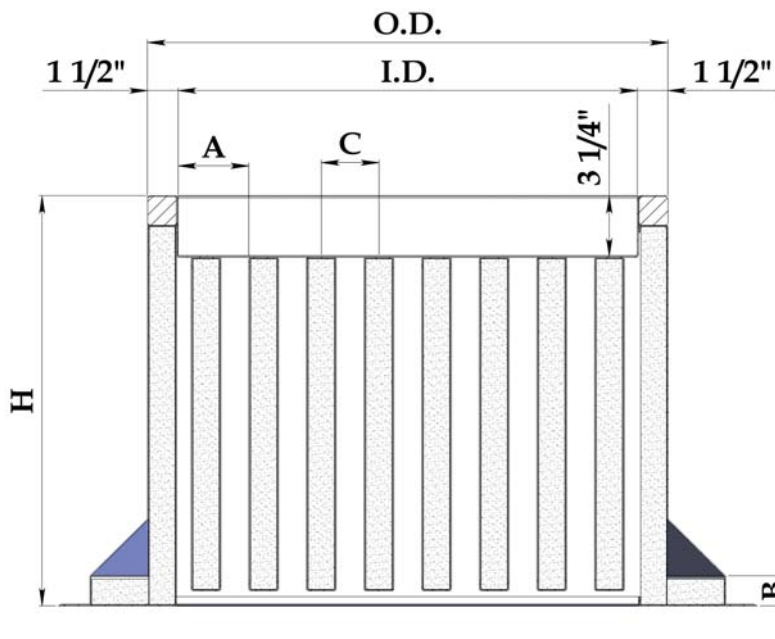
MODEL MMP-1SC
Sound Curb for Insulated Roof Decks



SUBMITTAL

Project: _____

 Contractor: _____
 Architect: _____
 Engineer: _____
 Date: _____
 Submitted by: _____



STANDARD FEATURES

- Heavy ga Galvanized Steel
- Rigid Fiberglass Insulation
- Removable Baffle Assembly
- Baffles 3" O.C., 22 ga Galvanized Frames

REQUESTED OPTIONS

- 1.
- 2.
- 3.
- 4.
- 5.

FINISHED DIMENSIONS

QTY	I.D.	O.D.	H	A	B	C	No. of Baffles	Job Description