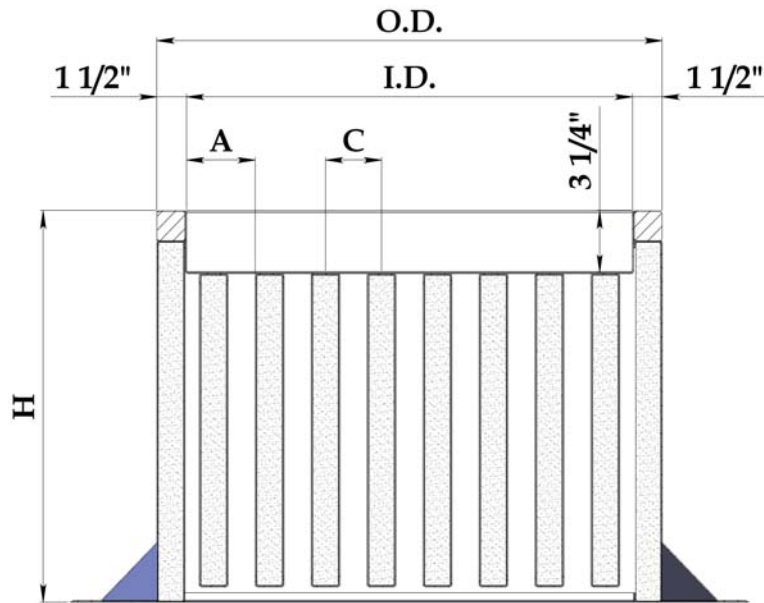
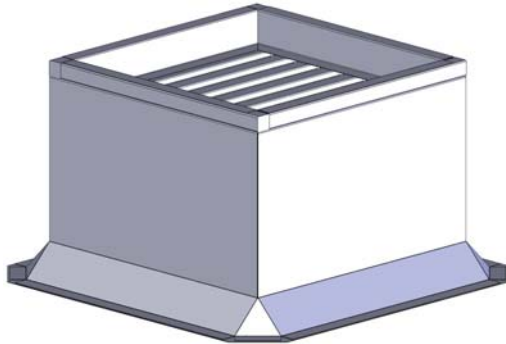




The choice to make when superior quality and service count.

2655 Airport Rd. • Santa Teresa • NM • 88008 • Ph 505.589.2130 • Fx 505.589.2608

**MODEL MMP-2SC**  
Sound Curb for Non-Insulated  
and all Existing Roof Decks



## SUBMITTAL

Project: \_\_\_\_\_

Contractor: \_\_\_\_\_

Architect: \_\_\_\_\_

Engineer: \_\_\_\_\_

Date: \_\_\_\_\_

Submitted by: \_\_\_\_\_

### STANDARD FEATURES

- Heavy ga Galvanized Steel
- Rigid Fiberglass Insulation
- Removable Baffle Assembly
- Baffles 3" O.C., 22 ga Galvanized Frames

### REQUESTED OPTIONS

- 1.
- 2.
- 3.
- 4.
- 5.

## FINISHED DIMENSIONS

QTY	I.D.	O.D.	H	A	C	No. of Baffles	Job Description