

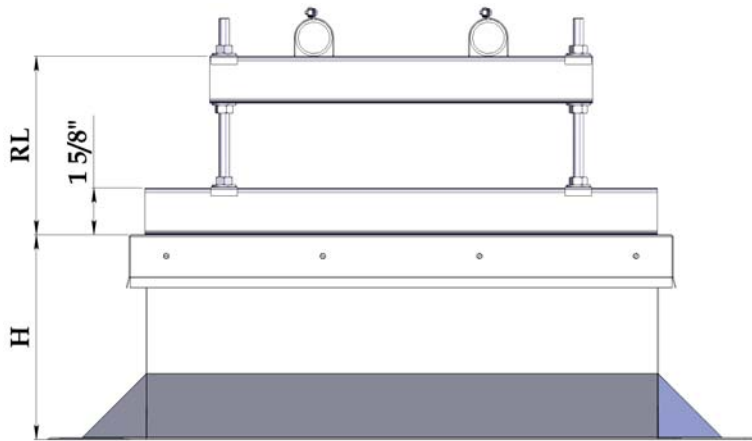
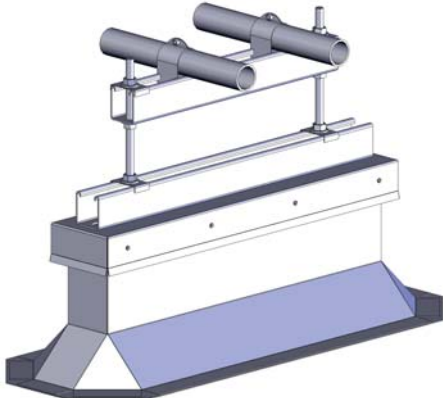


The choice to make when superior quality and service count.

2655 Airport Rd. • Santa Teresa • NM • 88008 • Ph 505.589.2130 • Fx 505.589.2608

### MODEL MMP-20

Pipe Supports Shown on ESR-2 Equipment Support Rail ESR-1 and 2 Also Available  
Optional Pipe Clamps also Shown



### SUBMITTAL

Project: \_\_\_\_\_

Contractor: \_\_\_\_\_

Architect: \_\_\_\_\_

Engineer: \_\_\_\_\_

Date: \_\_\_\_\_

Submitted by: \_\_\_\_\_

#### STANDARD FEATURES

- Galvanized Channel Base
- Spring Strut Nut
- Galvanized Threaded Rod w / Lock Nuts
- Adjustable Pipe Support Rail

#### REQUESTED OPTIONS

- 1.
- 2.
- 3.
- 4.
- 5.

### FINISHED DIMENSIONS

QTY	RL	L	H	Job Description