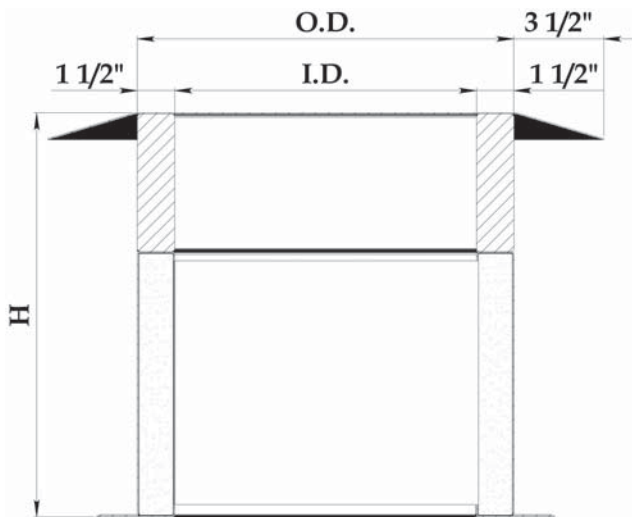
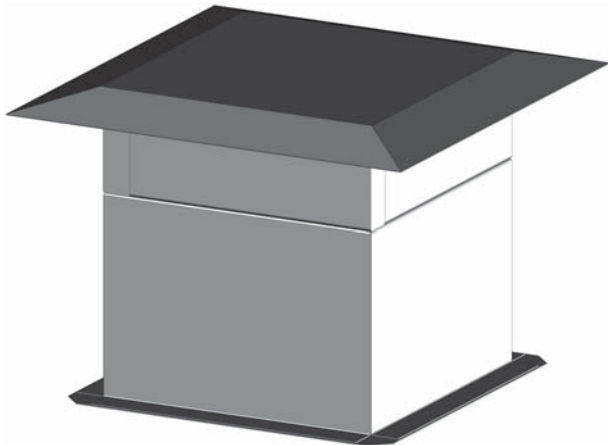




The choice to make when superior quality and service count.

2655 Airport Rd. • Santa Teresa • NM • 88008 • Ph 505.589.2130 • Fx 505.589.2608

MODEL MMP-3CFC
With Counter Flashing Cap



SUBMITTAL

Project: _____

Contractor: _____

Architect: _____

Engineer: _____

Date: _____

Submitted by: _____

STANDARD FEATURES

- Factory Installed 2" x 6" Wood Nailer
- Welded Heavy Galvanized Steel Shell and Base Plate
- Curb Insulation
- 1" Cap Insulation
- Galvanized Counter Flashing Cap

REQUESTED OPTIONS

- 1.
- 2.
- 3.
- 4.
- 5.

FINISHED DIMENSIONS

QTY	I.D.	O.D.	H	Job Description