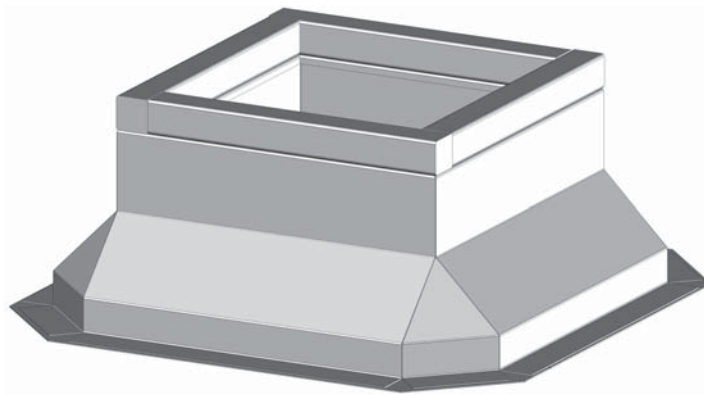




The choice to make when superior quality and service count.

2655 Airport Rd. • Santa Teresa • NM • 88008 • Ph 505.589.2130 • Fx 505.589.2608

**IN STOCK
PRE-FABRICATED ROOF CURB
VCG GALVANIZED**



PRE-FABRICATED ROOF CURB DIMENSION DATA

TYPE AND SIZE UNIT			PRE-FABRICATED CURB						Approx. Shipping Weight 8" High	Approx. Shipping Weight 12" High
ACE and ACRU Centrifugal Units	PR Gravity Units	ASP Supply Units	Galvanized Cat. No.	T Sq.	F Sq.	V Sq.	W Sq.	Roof Opening		
	8		VCG-14	16	14-1/2	22-1/2	6-1/4	11-1/2	28	35
70, 90, 100			VCG-16	18	16-1/2	24-1/2	8-1/4	13-1/2	30	38
120, 135	12		VCG-18	20	18-1/2	26-1/2	10-3/4	15-1/2	32	40
150, 165, 180, 195			VCG-22	24	22-1/2	30-1/2	14-1/4	19-1/2	38	48
	16	10	VCG-26	28	26-1/2	34-1/2	18-1/4	23-1/2	42	53
210, 225, 245			VCG-28	30	28-1/2	36-1/2	20-1/4	25-1/2	46	58
	20	12, 15	VCG-30	32	30-1/2	38-1/2	21-1/4	27-1/2	50	63
270, 300	24	18	VCG-34	36	34-1/2	42-1/2	24-3/4	31-1/2	58	73
330, 365	30		VCG-40	42	40-1/2	48-1/2	32-1/4	37-1/2	64	80
402	36		VCG-46	48	46-1/2	54-1/2	38-3/4	43-1/2	72	90
445, 490	42		VCG-52	54	52-1/2	60-1/2	44-1/4	49-1/2	85	106
	48		VCG-58	60	58-1/2	66-1/2	49-1/4	55-1/2	94	118
			VCG-64	66	64-1/2	72-1/2	56-1/4	61-1/2	102	
			VCG-70	72	70-1/2	78-1/2	62-1/2	67-1/2	110	